

molift[®]
a part of Etac



Molift Hoists and Slings

Etac creates **possibilities**

Etac's core values are Scandinavian design, innovation and technology. For more than forty years, Etac has developed products and services that creates possibilities for users and caregivers. During the last decade Etac has grown the product portfolio through several acquisitions.

Today we can offer a wide range of solutions for mobility with manual and power wheelchairs, advanced seating solutions, solutions for patient transfer and vital solutions needed for everyday life including classic products for bathing and toilet. We also provide a world-class state of the art range of solutions for pediatric use. All our products are developed in close cooperation with rehab professionals, industrial designers and users. The result is ergonomic design and high quality products that are unique in the market.

DURABILITY AND QUALITY

All our products have one thing in common – they are the best in terms of quality, simplicity, function, reliability and design that the market has to offer. Our commitment to provide the best in quality and innovation has positioned Etac as the brand of today and of the future.

SAFETY IN EVERY DETAIL

Every product detail is designed to ensure well-being and safety. Etac provides safe solutions, which give a high sense of comfort and functionality. We strive to retain the cutting edge in design and function. Our vision is that everyone should be able to live a free and independent life and pursue their dreams regardless of any physical circumstances. Welcome to the world of Etac, where Molift is an important part!



Torben Helbo

Torben Helbo
CEO, Etac AB

“ *It is the engagement from our customers that is our biggest inspiration to continue creating possibilities!* ”

CREATING POSSIBILITIES WORLDWIDE

Products from Etac are available in more than 40 countries worldwide.



ETAC SALES COMPANY



ETAC DISTRIBUTION PARTNER



Quality provides security

Caregiving takes place in a large variety of environments. Private homes, rehab clinics, nursing homes and acute care hospitals are some examples. We are convinced that the sense of security and well-being makes care more effective.

FUNCTION THAT FACILITATES

In the 70's Etac* became the first in the field to cooperate with industrial designers to reform products for home care. Functional products that facilitate bathroom activities took form and products for kitchen and dressing shortly followed. Ten years later, Bo Lindkvist, using a wheelchair himself, presented a new innovative generation of wheelchairs within Etac that soon became a core part of our product portfolio. Since 2004 Etac has grown through several acquisitions, HandPro, Immedia, Molift and the latest acquisition in 2012 being R82. All these companies share the history of being founded by entrepreneurs with a strong product passion.

HIGH TECHNOLOGY FOR THE CARE FIELD

Today we have both manual and power wheelchairs with high technology functions. Etac has also included mechanical and manual transfer products which are very much appreciated and important in the care field. We offer a large assortment of pediatric products and a wide range of accessoires.

For more specific information of our product ranges see page 54–55 and etac.com.



ENVIRONMENTAL CONSIDERATION

We strive to keep our production as environmentally friendly as possible. Materials are selected and products designed with recycling in mind. We aim to minimize use of materials and to optimise packaging for shipping and handling.



ETAC EDUCATION

Learn more about our products and improve your assessment skills! We provide product training, clinical applications and seminars related to our product ranges. Our educational managers are product specialists with long clinical experience.

For more information visit etac.com or contact your local Etac representative.

WINNING DESIGN FOR FOUR DECADES

Etac products are developed in close cooperation with industrial designers, rehab staff and users. This has resulted in an ergonomic design and quality that is unique in the market. A distinguished confirmation that we have succeeded are all design awards we have received, both Scandinavian and international.



Reddot



Good Design



Excellent Swedish Design



Award for Design Excellence

ETAC CREATES POSSIBILITIES SINCE 1973

- 2013 Etac launches Molift Air, Molift RgoSlings, Etac Cross 5 and Etac Relax.
- 2011 Etac becomes fully owned by Nordstjernan.
- 2011 Etac acquires R82, worldleader of producing technical aids and appliances for disabled children.
- 2010 Etac acquires Molift, creator of the first battery-powered patient lift in the world.
- 2008 Etac acquires Immedia, manufacturer of manual transfer products.
- 2004 Etac acquires HandPro, manufacturer of the powerchair Balder.
- 1992 Etac launches Cross, the first multifunctional cross folding wheelchair in the world.
- 1985 Etac launches Nova, the first four wheeled walker with front wheels swivel in the world.
- 1973 *)RFSU Rehab, later renamed Etac, is founded.

Etac is today an international group with sales companies and distributors all over the world. Nordstjernan is the owner of the Etac Group. Nordstjernan is a family-owned investment company with a strategy of focusing on long-term investments.

Molift products are designed for life

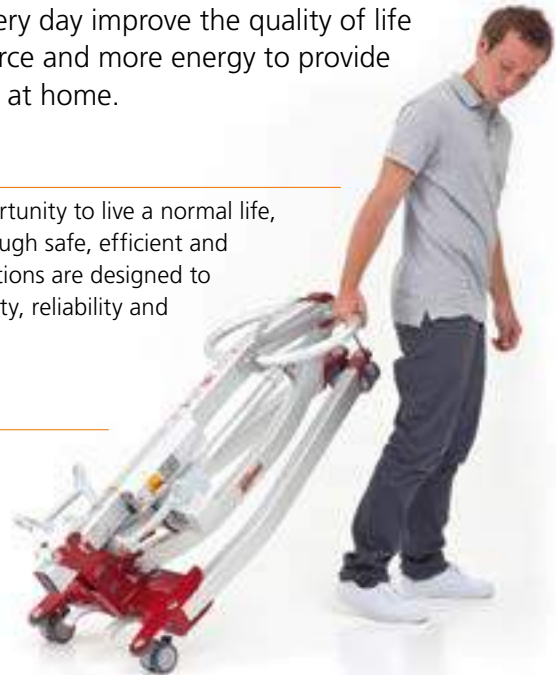
The Molift products are designed to give patients a better life in addition to provide caregivers the best support and optimum work environment. Our objective is to make solutions that every day improve the quality of life for caregivers leading to a healthy workforce and more energy to provide attention, love and care both at work and at home.

BEST IN CLASS – LONG DURABILITY

The Molift products give disabled people the opportunity to live a normal life, to go to school, work and travel – a better life through safe, efficient and comfortable transfer solutions. Molift transfer solutions are designed to be the best in class when it comes to product quality, reliability and durability.

THE MOLIFT STORY

Molift became a part of Etac 2010. The brand was founded more than 30 years ago by Hans Kasper Andresen. A Norwegian inventor, engineer and designer who, through his own experience (he was hospitalised due to a heart attack), saw the need for lifting and moving patients in a secure way.



The Molift products have been awarded for their innovative and competitive design. Above: Molift Smart.

**SMALL,
COMPACT,
STRONG AND EASY
TO INSTALL**



Molift Air

The small, compact and strong Molift Air motor is easy to handle, easy to move and easy to install. And of course a perfect match to the Molift Rail System. Learn more about Molift Air and Rail System on page 30–38.

STABLE LIFTING AND INCREASED DIGNITY

Molift lifters are fitted with 4-point suspension as standard. It provides a more stable lifting and prevents users swinging from side to side. Users enjoy a free, open sitting position with plenty of head room, avoiding the feeling of being cramped, and feel comfortable and secure when sitting. Combined with the Molift RgoSling they provide extra-ordinary comfort and correct positioning from lying to sitting and vice versa as the sling loops glide naturally into position during lifting.



Secure, efficient and outstanding

With the increasing need for efficiency in the healthcare sector and a growing focus on patients' and caregivers' needs and safety, top class transfer products are essential.

COST EFFECTIVE SOLUTIONS

Studies show that manual lifting and other patient-handling tasks are high-risk activities for both nurses and patients. The aim for Molift products is to give the best and most secure patient care, avoid heavy lifting situations which can put caregivers' backs at risk at the same time as providing the healthcare sector with the most cost effective solutions. Research and studies for the past 20 years have shown that the costs of proper equipment are far lower than those associated with nurses' work related injuries.



Molift RgoSlings have anatomic design, with sliding loops. Molift RgoSlings are comfortable, open and spacious.

OUR STANDARDS

Molift is certified according to the ISO standards for our trade. This affects how we drive and safeguard the quality of our products and our processes.

SYSTEMS FOR QUALITY ASSURANCE

We are certified according to ISO 9001:2008, which means that all our work processes, from product development and production to the products and their delivery meets the most stringent quality requirements.

TRACEABILITY

Molift meets all the requirements of ISO 13485 with regard to traceability of our products. All our hoisters and slings have bar codes to facilitate traceability for our distributors on their market.

ENVIRONMENTAL REQUIREMENTS

We work continuously to minimise the impact of our operation on the environment, and we are certified according to ISO 14001. This standard contains legal requirements on raw materials, emissions, recycling and power consumption. We use rechargeable nickel-metal hydride batteries (NiMH) in our hoists.

CONTENTS

SIT-TO-STAND HOISTS 6

Molift Raiser	7
Molift Quick Raiser 1	9
Molift Quick Raiser 2	10
Molift Quick Raiser 2+	11
Molift RgoSling StandUp	14

MOBILE HOISTS 15

Molift Smart 150	16
Molift Mover 180	18
Molift Mover 205	20
Molift Mover 300	22
Molift Partner 255	24
Molift Service Tool	28

CEILING HOISTS 29

Molift Air	30
Molift Nomad	34
Molift Rail System	36

SLINGS 39

Molift RgoSling Concept	40
Molift RgoSling MediumBack	43
Molift RgoSling HighBack	44
Molift RgoSling Toilet	
LowBack and HighBack	45
Molift RgoSling Amputee	
MediumBack and HighBack	46
Molift RgoSling Comfort HighBack	47
Molift RgoSling Ambulating Vest	48
Molift RgoSling Accessories	49

STRETCHERS 50

Molift Fabric Stretcher	51
Molift Stretcher	52

“ We are proud of our Molift products and that they, every day, improve the quality of life for caregivers and patients. ”

Sit-to-stand solutions

The Molift Raiser and the Molift Quick Raiser are based on the same ergonomic principles. Both products imitates the natural pattern of movement and fulfills the transfer needs of users with some weight bearing capacity. Molift Quick Raiser has been awarded by the Norwegian Design Council for Design Excellence for its pioneering design and functionality.



Molift Raiser

TRANSFER PLATFORM FOR ACTIVE TRANSFER



Safe and easy to use

Molift Raiser platform is designed to safely move the user from a sitting to standing position while maintaining the best possible ergonomic moving and handling conditions for the caregiver. The unique leg support is designed to be easily adjusted with one hand. Similarly, wheel locks (right or left) will lock both wheels simultaneously providing a safe braking solution in space limited environments. The fine grain finish of the footplate provides a non-slip surface and the handle offers many different grip possibilities. These features enable the user to feel safe throughout the entire transfer.

Molift Raiser has several unique features that makes the transfer safe and easy.

Molift	Cm	Inch	Item no.
Raiser	58 x 63 x 120	22.8 x 24.8 x 47.2	16090202

Material: Steel, plastic, aluminium, thermoplastic rubber

Total Weight: 14.2 kg (31.3 lbs)



Cleaning instruction

Use a solvent-free detergent with a pH level between 5 and 9. Can be washed at 80° C for 3 minutes (not with leg support). Use a wet wipe for the leg support. Do not rinse directly on bearings and leg support with a pressure washer.



Features



Leg support with one-hand height regulation

The soft padded leg support provides comfortable support for the user. It is simple to adjust the height with only one hand.



Handle with many grip possibilities

The handle provides many grip possibilities for both caregivers and users.



One foot locks both wheels

The foot brake locks both sides whether you choose the left or right one. This ensures a smooth and safer use of the product.



Low boarding

The low step-on height makes it easier for users to place their feet on the platform.



If the user has difficulty reaching the handle, the Soft Handles can be used to help the user reach all the way.



The Raiser Strap can provide support around the back or hips when standing up.

The user can be assisted by one or two caregivers using the Raiser Strap+.

Accessories



Soft handles

If the user has difficulty reaching the handle, the Soft Handles can be used to help the user reach all the way.

Item no.

82511



Safety strap with sliding function – Raiser Strap+

When users need help to be assisted, this can be done by one or two caregivers using the Raiser Strap+.

S/M Item no.

82528

L/XL Item no.

82529



Safety strap – Raiser Strap

Provides support around the back or hips when standing up.

S/M Item no.

82508

L/XL Item no.

82509

Molift Quick Raiser 1

COMPACT DESIGN AND EXCELLENT MANOEUVRABILITY EVEN IN NARROW SPACES



Compact and easy

By virtue of its compact design and low weight, Molift Quick Raiser 1 is stable and easy to manoeuvre. The unique wheel position and near perfect weight distribution of the base provides a small turning radius with easy manoeuvrability even in narrow spaces.

Natural pattern of movement

The inclined straight column imitates the natural pattern of movement and fulfils the hoisting needs of users with some degree of weight bearing capacity. Molift Quick Raiser 1 has a safe working load of 160 kg (352 lbs.)

The extra low base, 7 cm (2.8"), and narrow front, 34 cm (13.5"), fits well around toilets and under most beds, chairs and wheelchairs.

Find detailed information at page 12–13.

Features



Extra low base

Extra low base with narrow front for easy access.



Molift Service Tool

Automatic service notification system determines when the hoist requires service and maintenance. Read more on page 28.



Compact and easy to manoeuvre

Molift Quick Raiser 1 has a low weight and is stable and easy to manoeuvre.

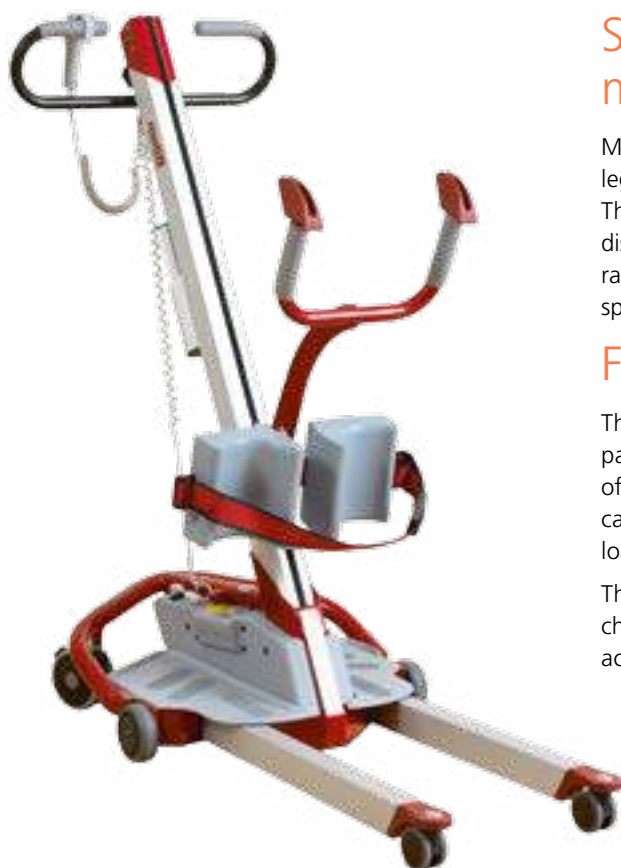


Multiple adjustable knee pads

The knee pads are height adjustable and can be turned around for better fitting and to give alternative support for the legs.

Molift Quick Raiser 2

SIT-TO-STAND HOIST WITH ELECTRICALLY ADJUSTABLE LEG BASE



Stable and easy to manoeuvre

Molift Quick Raiser 2 with electrically adjustable leg base is compact, stable and easy to manoeuvre. The unique wheel position and near perfect weight distribution of the base provides a good turning radius and easy manoeuvrability even in narrow spaces.

Fits almost everywhere

The inclined straight column imitates the natural pattern of movement and fulfils the hoisting needs of users with some degree of weight bearing capacity. Molift Quick Raiser 2 has a safe working load of 160 kg (352 lbs).

The low base, 10 cm (4"), fits under most beds and chairs while the electrically adjustable legs enables accessibility almost everywhere.

Find detailed information at page 12–13.

Features



Electrically adjustable legs

The perfect alternative when the hoist is used together with chairs with no accessibility underneath, such as electric wheelchairs and recliners.



Natural pattern of movement

Inclined straight column imitates a natural pattern of movement.



Multiple adjustable knee pads

The knee pads are height adjustable and can be turned around for better fitting and to give alternative support for the legs.



Molift Service Tool

Automatic service notification system determines when the hoist requires service and maintenance.

Molift Quick Raiser 2+

WHEN A HIGHER SAFE WORKING LOAD IS NEEDED



High safe working load

Molift Quick Raiser 2+ has been adapted for higher safe working load, up to 200 kg (440 lbs). It has a reinforced column and suspension and electrically adjustable leg base. The unique wheel position and perfect weight distribution of the base provides a good turning radius and easy manoeuvrability even in narrow spaces.

Natural pattern of movement

The inclined straight column imitates the natural pattern of movement and fulfils the hoisting needs of users with some degree of weight bearing capacity.

The low base, 10 cm (4"), fits under most beds and chairs while the electrically adjustable legs enables accessibility almost everywhere.

Find detailed information at page 12–13.

Features



Increased safe working load

Molift Quick Raiser 2+ has a safe working load of 200 kg (440 lbs).



Multiple adjustable knee pads

The knee pads are height adjustable and can be turned around for better fitting and to give alternative support for the legs.



Molift Service Tool

Automatic service notification system determines when the hoist requires service and maintenance.



Natural pattern of movement

Inclined straight column imitates a natural pattern of movement.

Features – Molift Quick Raiser



Environmentally friendly NiMH battery

All Molift hoists are equipped with an environmentally friendly NiMH-battery.



Safety features

Numerous safety features are standard, including emergency stop, overload protection, electrical and mechanical emergency lowering.



Battery indicator

All Molift hoists have an integrated battery indicator that provides audio and visual notification.



Power-save function

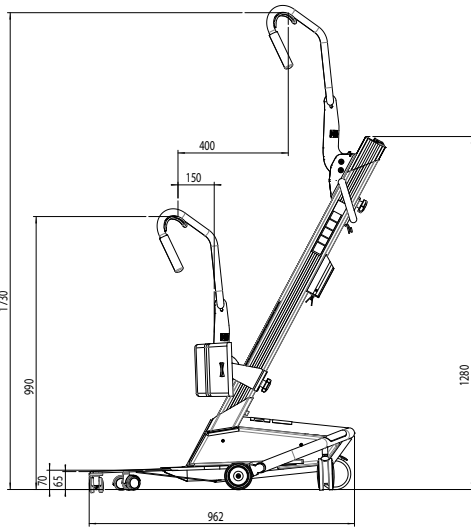
The electronics has a power-save function which makes the system go into sleep-mode after a period with no activity.



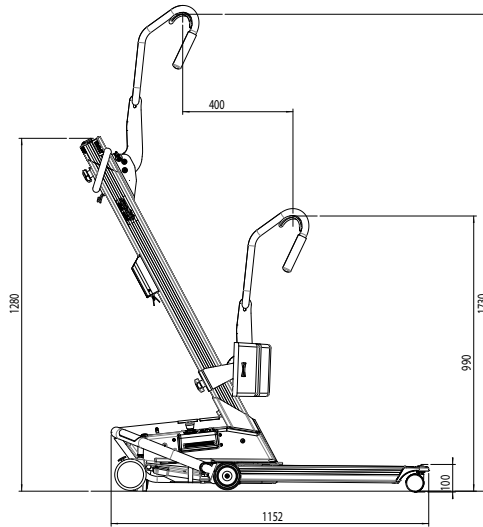
Unique wheel positioning

The lightweight construction combined with the unique wheel positioning, provides exceptional maneuverability.

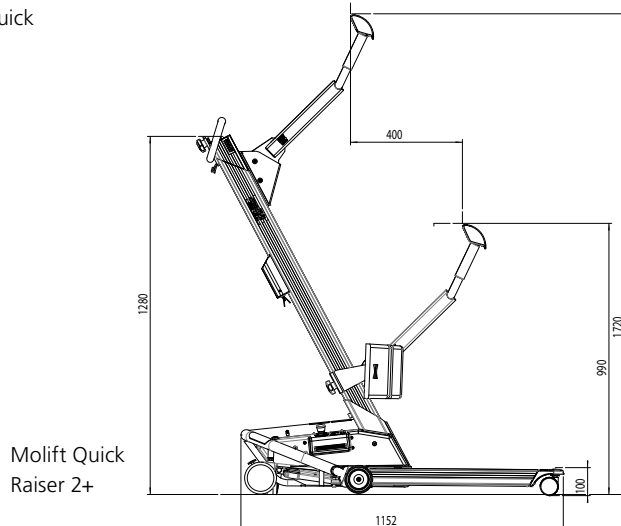
Dimensions



Molift Quick Raiser 1



Molift Quick Raiser 2



Molift Quick Raiser 2+

Accessories



Molift Quick Raiser adjustable footboard

Footboard for adjusting the height of Molift Quick Raiser foot base, ideal for users of smaller height or children. SWL: 75 kg (165 lbs)
Item no. 0451000



Molift Quick Raiser Sandals

Designed to ensure the feet are held in place during hoisting.
Sandals S 0452100
Sandals M 0452200
Sandals L 0452300



Extra soft pads for knee support

For patients with extra sensitive legs
Soft pads S 0455111
Soft pads L 0455114



Molift Rgo StandUp slings

Find detailed information at page 14.

Options



V-Shape Arm

Is the original hoisting arm. It is easy to use and fits most users.

Item no. 0458107



U-shape Arm

The hoisting arm has more space between the attachment points for the sling.

Item no. 0458010



Molift Quick Raiser Knee Support Small

Quick Raiser 1 0455000
Quick Raiser 2 & 2+ 0455012



Molift Quick Raiser Knee Support Large

Quick Raiser 1 0455001
Quick Raiser 2 & 2+ 0455011

Description

Molift QR1, V-shape Arm
Molift QR1, U-shape Arm
Molift QR2, V-shape Arm
Molift QR2, U-shape Arm
Molift QR2+, U-shape Arm

Item no.

04100
04150
04200
04400
04450

Leg height

QR1: 70 mm (2.8")
QR2: 100 mm (3.9")
QR2+: 100 mm (3.9")

Chassis width

610 mm (24.0")

Service Software

Included

Battery

NiMH 14.4 V – 2.2 Ah
Item no. 0541000

Material

Aluminium, steel

Battery charge time

ca. 3 hours

Total Weight

QR1: 29 kg (64 lbs)
QR2: 36 kg (79.5 lbs)
QR2+: 37 kg (81.5 lbs)

Hoisting speed

5 cm/sec at 75 kg
(2"/sec at 165 lbs)

Length

QR1: 955 mm (37.6")
QR2 and QR2+: 1150 mm (47.2")

Rated performance

40 hoists at: 75 kg and 50 cm/
(165 lbs and 19.5")

Standard item model includes

Chassis, Column, Knee Support and respective V- or U-shape Arm

QR1 and 2

max 160 kg
max 353 lbs

QR 2+

max 200 kg
max 440 lbs

Cleaning instructions

Use pH-neutral cleaning agents. If disinfection is required, use isopropyl alcohol. Do not use abrasive or corrosive substances for cleaning.



Molift RgoSling StandUp for Quick Raiser

THE IDEAL SLING SOLUTION FOR ACTIVE TRANSFERS WITH MOLIFT QUICK RAISER

Molift RgoSling StandUp

Molift RgoSling StandUp is a padded sling developed for active hoisting together with Molift Quick Raiser. It provides perfect lumbar support and is the ideal sling solution for hoisting and moving between different sitting positions. The RgoSling StandUp is quickly and easily placed around the user.

By virtue of the design it is ideal for use in toilet situations. Molift RgoSling StandUp has an efficient anti-slip lining to prevent the sling from sliding up. The wide back-support distributes weight and pressure evenly over a large surface which makes it more comfortable for the user. The waist belt provides additional support and stability.



Molift RgoSling StandUp with Support

Molift RgoSling StandUp with Support provides additional pelvic support for users who need a little extra help to stand up.



Description	Item no.
Molift RgoSling StandUp	
XS	1720710
S	1720720
M	1720730
L	1720740
XL	1720750

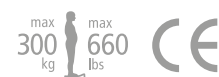
Waist Size	
XS	55–60 cm (21.7"–23.6")
S	60–75 cm (23.6"–29.5")
M	75–100 cm (29.5"–39.4")
L	100–150 cm (39.4"–59.1")
XL	150–175 cm (59.1"–68.9")



Description	Item no.
Molift RgoSling StandUp with Support	
XS	1720810
S	1720820
M	1720830
L	1720840
XL	1720850

Material
Polyester

Inspection instruction
Inspect the slings regularly, especially after washing. Carefully examine slings for wear and tear. Pay particular attention to seams, fabric, straps and loops. Any damaged slings should be replaced immediately.



Mobile Hoists

The Molift mobile hoists are well known for many innovative and intuitive solutions such as standard 4-point suspension, integrated service software, a compact lightweight design and an ergonomic, user friendly pushbar. The successful Molift Smart 150 has also been awarded by the Norwegian Design Council for its pioneering design and functionality.



Molift Smart 150

LIGHT, FOLDABLE AND TRANSPORTABLE WITHOUT TOOLS



Compact smartness

Molift Smart 150 is designed to be easily wheeled and transported to where it is required. It is designed for home care, for travelling and easy storage. The Molift Smart is foldable in one piece without using any tools.


Low weight and unique construction

Due to its low weight, the small footprint and the unique construction, Molift Smart 150 is easy to manoeuvre even in narrow spaces.

Comfortable and safe transfer

The hoisting range of 27–168 cm (10.6"–66.1") provides an excellent maximum hoisting height and at the same time gets very low, facilitating hoisting from the floor. Standard 4-point sling suspension ensures a comfortable and spacious hoisting position for the user.

Molift Smart 150 has been awarded for Design Excellence by the Norwegian Design Council.

Description Molift Smart 150	Item no. 10200	Leg height 110 mm (4.4")	Hoisting interval 1410 mm (55.5")	Cleaning instructions Use pH-neutral cleaning agents. If disinfection is required, use isopropyl alcohol. Do not use abrasive or corrosive substances for cleaning.
Service Software Included		Width chassis/legs outer 660 mm (25.9")	Battery NiMH 14.4 V – 2.2 Ah Item no. 0541000	
Material Aluminium, steel		Width open legs inner 925 mm (36.4")	Battery charge time Ca 3 hours	
Total Weight 26 kg (57 lbs)		Dimension folded 1160 x 475 x 360 mm (45.32" x 18.7" x 14")	Hoisting speed 60 mm/sec (2.4"/sec)	
Weight when separated Part 1: 13 kg (28.6 lbs) Part 2: 13 kg (28.6 lbs)		Hoisting height 270–1665 mm (10.6"–66.1")	Rated performance 40 hoists at: 75 kg and 50 cm (165 lbs and 19.5")	
Length 1200 mm (47.2")				

Features



4-point suspension

Standard 4-point suspension ensures comfortable and more spacious hoisting position for the user.



Hoists easily from floor

Molift Smart has a large hoisting span that allows hoisting from the floor as well as high surfaces.



Foldable without tools

Designed for homecare and travelling.

Accessories



Travel Suitcase – Molift Smart 150

This hard shell suitcase provides additional protection when transporting by air. It is TSA approved for air travel and ideal for the client with an active life.
Item no. 0990200



Travel Bag for Molift Smart 150

The soft shell travel bag has extra large transport wheels. It protects the hoist, and enables easy transporting.
Item no. 3049175



Molift Smart folds and unfolds easily without using any tools and can be separated into two parts where the heaviest part weighs only 13 kg.

Molift Mover 180

THE MOLIFT MOVER 180 IS A LIGHTWEIGHT AND COMPACT HOIST, SUITABLE BOTH IN HOME CARE AND INSTITUTIONAL ENVIRONMENTS

An everyday favourite

The Molift Mover 180 has a lightweight aluminium construction that makes the hoist very easy to manoeuvre. The large hoisting interval, 27–163 cm (10.4"–64.2"), allows hoisting from high surfaces as well as hoisting from the floor. Molift Mover 180 has also the option of 2- or 4-point suspension.

Ergonomic handling

For improved caregiver ergonomics, the Molift Mover 180 is equipped with Molift's unique push bar that provides multiple and flexible grip possibilities for improved caregiver ergonomics.

Molift Mover 180 is equipped with 75 mm castors as standard, but it is also available with 100 mm castors.

Molift Mover 180, like all Molift hoists, is equipped with the unique service notification system that notifies when service is required. The integrated service software can also be used to retrieve data about hoist usage and hoisting patterns.



Find optional suspensions and detailed information at page 26–27.

<p>Description</p> <p>Molift Mover 180 excl. suspension: 18000</p> <p>Molift Mover 180 with 100 mm castors excl. suspension: 18003</p> <p>Material Aluminium, Steel</p> <p>Service Software Included</p> <p>Total weight 32 kg (70.5 lbs)</p> <p>Length 1260 mm (49.6")</p>	<p>Item no.</p> <p>18000</p> <p>18003</p> <p>Width chassis/legs outer 670 mm (26.3")</p> <p>Width open legs inner 1025 mm (40.4")</p> <p>Hoisting height 4-point suspension 265–1630 mm (10.4"–64.2")</p> <p>Hoisting interval 1365 mm (53.7")</p> <p>Leg height 105 mm (4.13")</p>	<p>Battery NiMH 14.4 V – 2.2 Ah Item no. 054100</p> <p>Battery charge time Ca 3 hours</p> <p>Wheel size 7.5 cm (3")</p> <p>Hoisting speed 40 mm/sec (1.6"/sec)</p> <p>Rated performance 50 hoists at 75 kg and 50 cm (165 lbs and 19.7")</p>	<p>Cleaning instructions Use pH-neutral cleaning agents. If disinfection is required, use isopropyl alcohol. Do not use abrasive or corrosive substances for cleaning.</p> <p>CE max 180 kg max 397 lbs</p>
--	---	---	--

Features



Unique push bar

The unique push bar provides the best natural grip, creating good ergonomics and many grip possibilities.



Easy to manoeuvre

Molift Mover 180 has a total weight of only 32 kg (70.5 lbs) which, together with the design, makes it easy to manoeuvre.



Molift Service Tool

Automatic service notification system determines when the hoist requires service and maintenance.



Many options

Mover 180 can be used with both a 2-point and a 4-point suspension. They come in six variants and can be interchanged easily without tools.



Weight scale

The Molift Mover 180 scale is approved Class III and complies with all technical standards. It can also calculate BMI (Body Mass Index) with a simple touch.

Molift Mover 180 has a large hoisting span that allows hoisting from the floor as well as high surfaces.



Molift Mover 205

ALL-ROUND MOBILE HOIST FOR ALL SITUATIONS



Find optional suspensions and detailed information at page 26–27.

A workhorse for frequent and everyday use

Molift Mover 205 is a flexible all-round mobile passive hoist for all hoisting and transfer situations in nursing, institutional and hospital settings. Although having a low total weight of 39.3 kg (89.5 lbs) facilitating wheeling and manoeuvrability, the unique construction allows a safe working load of 205 kg (452 lbs).

Excellent reach, low and high

Molift Mover 205 has an excellent hoisting height, with the 36–180 cm (14–71"). It has a standard 4-point suspension that used together with a Molift Sling provides a comfortable and spacious position for the user. A quick release function provides options of other suspensions in different dimensions. Equipped with environmentally friendly NiMh-battery.

Description	Item no.	Width open legs inner	Hoisting speed
Molift Mover 205 excl. suspension		1065 mm (41.9")	40 mm/sec (1.6"/sec)
Standard	14000		
Low base	14050	Hoisting height	Rated performance
With support arms	14150	355–1805 mm (14–71")	50 hoists at: 75 kg and 50 cm (165 lbs and 19.7")
Material		Hoisting interval	Cleaning instructions
Aluminium, steel		1450 mm (57.1")	Use pH-neutral cleaning agents. If disinfection is required, use isopropyl alcohol. Do not use abrasive or corrosive substances for cleaning.
Service Software		Leg height	
Included		115 mm (4.5")	
Total weight		Low base: 60 mm (2.4")	
Regular: 39.3 kg (89.5 lbs)		With support arms: 115 mm (4.5")	
Low base: 42.6 kg (94 lbs)		Battery	
With support arms: 45.6 kg (100.5 lbs)		NiMh 26.4 V – 2.2 Ah	
Length		Item no. 1341000	
1285 mm (50.6")		Battery charge time	
Width chassis/legs outer		Ca 3 hours	
690 mm (27.2")			



Features



Unique push bar

The unique push bar provides the best possible natural grip, creating good ergonomics and many grip possibilities.



Optional suspensions

Molift Mover 205 can be used with both a 2-point and a 4-point suspension. They come in six variants and are easy to carry and change.



Molift Service Tool

Automatic service notification system determines when the hoist requires service and maintenance.

Accessories



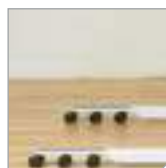
Support arms

Molift Mover 205 is also available with additional Support Arms. This in combination with the excellent hoisting height provides an ideal solution for gait training.



Simplifies weighing

The scale is approved Class III and complies with all technical standards. It can also calculate BMI (Body Mass Index) with a simple touch.



Extra low base

Molift Mover 205 is also available with an extra low base chassis. A base height of only 6 cm is one of the lowest in the market.



The Molift Stretcher can be used directly on the standard 4-point suspension, making it easy to hoist a multiple trauma patient, a patient with suspected spinal cord injuries, or an unconscious patient.

Molift Mover 300

WHEN A HIGH SAFE WORKING LOAD IS NEEDED



Find optional suspensions and detailed information at page 26–27.

High capacity in a low total weight

With its high hoisting capacity of 300 kg (660 lbs), Molift Mover 300 is the ideal solution for hospitals and care facilities with bariatric clients who have frequent and everyday moving and handling needs. With a total weight of only 39.3 kg (90 lbs) the Molift Mover 300 is the lightest in its category. The unique construction and wheel positioning provides excellent manoeuvrability.

Excellent hoisting range

Molift Mover 300 hoists easily from the floor, reaching down to 38 cm (15") at the lowest. Excellent maximum hoisting height at 178 cm (70.1") provides good free hoisting space and possibility for gait training. The hoist is also equipped with an environmentally friendly NiMh-battery.

<p>Description Molift Mover 300 excl. suspension Standard With Support arms</p> <p>Material Aluminium, steel</p> <p>Service Software Included</p> <p>Total weight Regular: 39.3 kg (90 lbs) With support arms: 45.6 kg (100.5 lbs)</p> <p>Length 1285 mm (50.6")</p> <p>Width chassis/legs outer 690 mm (27.2")</p>	<p>Item no. 15050 15150</p> <p>Hoisting height 375–1775 mm (14.8–69.9")</p> <p>Hoisting interval 1400 mm (55.1")</p> <p>Leg height 115 mm (4.5")</p> <p>Battery NiMh 26.4 V – 2.2 Ah Item no. 1341000</p> <p>Battery charge time Ca 3 hours</p>	<p>Width open legs inner 1065 mm (41.9")</p> <p>Hoisting speed 27 mm/sec (1.1"/sec)</p> <p>Rated performance 50 hoists at: 75 kg and 50 cm (165 lbs and 19.7")</p> <p>Cleaning instructions Use pH-neutral cleaning agents. If disinfection is required, use isopropyl alcohol. Do not use abrasive or corrosive substances for cleaning.</p>	<p>CE</p> <p>max 300 kg</p> <p>max 660 lbs</p>
---	---	---	--

Features



Unique patented Quick release

Molift Mover 300 has a standard 4-point suspension with a Quick release function which provides options of other suspensions in different dimensions.



Many options

Molift Mover 300 can be used with a 4-point suspension. They are available in two variants and can be interchanged easily without tools.



High safe working load

Molift Mover 300 has a safe working load of 300 kg (660 lbs) and still weighs only 39.3 kg (90 lbs).

Accessories



Extra low base

Molift Mover 300 is also available with an extra low base chassis. A base height of only 6 cm is one of the lowest in the market.



Weight scale

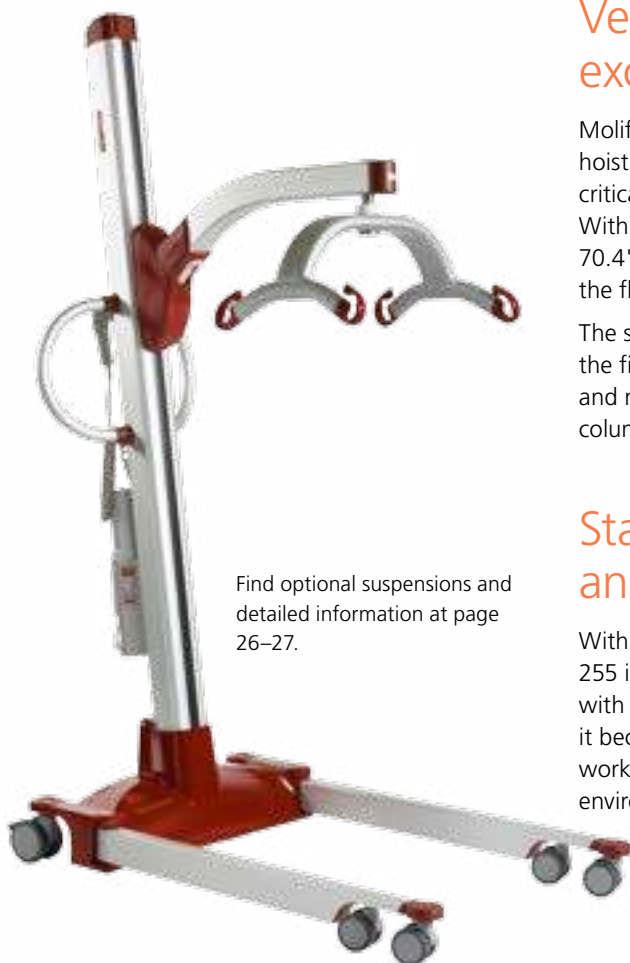
The Molift Mover 300 scale is approved Class III and complies with all technical standards. It can also calculate BMI (Body Mass Index) with a simple touch.

Molift Mover 300 is available with additional Support Arms. In combination with the maximum height it provides an ideal solution for gait training.



Molift Partner 255

THE FLAGSHIP OF MOLIFT'S MOBILE HOISTS



Find optional suspensions and detailed information at page 26–27.

Vertical hoisting pattern and excellent range

Molift Partner 255 provides an ideal solution for hoisting with high complexity situations in acute and critical care areas in both hospitals and care facilities. With an excellent hoisting range: 37–179 cm (14.5"–70.4") the Molift Partner 255 allows easy hoisting from the floor as well as high surfaces.

The straight vertical column in combination with the fixed suspension provides excellent stability and maintains the user at a good distance from the column.

Stability, manoeuvrability and hoisting capacity

With a total weight of 42.5 kg (94 lbs) Molift Partner 255 is one of the lightest in its category, and combined with excellent construction design and wheel solution, it becomes very easy to manoeuvre with a safe working load of 255 kg (562 lbs). Equipped with environmentally friendly NiMh-battery.

Description	Item no.	Width chassis/legs outer	Battery charge time
Molift Partner 255 excl. suspension		690 mm (27.2")	Ca 3 hours
Standard	13000		
Low base	13050	Width open legs inner	Hoisting speed
With Support arms	13100	1065 mm (41.9")	3 cm/sec (1.6"/sec)
Standard with scale	13001		
Low base with scale	13051	Hoisting height	Rated performance
With Support arms and scale	13101	390–1680 mm (15.4"–66.1")	50 hoists at: 75 kg and 50 cm (165 lbs and 19.7")
Material		Hoisting interval	Cleaning instructions
Aluminium, Steel		1290 mm (50.8")	Use pH-neutral cleaning agents. If disinfection is required, use isopropyl alcohol. Do not use abrasive or corrosive substances for cleaning.
Service Software		Leg height	
Included		115 mm (4.5")	
Total weight		Low base: 6 cm (2.4")	
Regular: 42.5 kg (94 lbs)		With support arms: 11.5 cm (4.6")	
Low base: 45 kg (99 lbs)			
With support arms: 50 kg (100.5 lbs)		Battery	
		NiMh 26.4 V – 2.2 Ah	
Length			
1285 mm (50.6")			



Features



High safe working load
Molift Partner 255 has a safe working load of 255 kg (562 lbs).



4-point suspension
Ensures a comfortable and spacious hoisting position. Combined with the vertical hoisting pattern it creates a safe and stable transfer.

Accessories



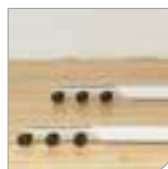
Weight Scale Arm – Molift Partner 255
The Molift Partner 255 scale is placed on top of the hoisting arm, thereby maintaining the hoisting height. The scale is approved Class III and can also calculate BMI (Body Mass Index).
Item no. 1331002



Molift Stretcher
Molift Stretcher is a user-friendly and flexible scoop stretcher for hospitals and institutions. Approved and compatible with X-Ray, CT-scan and MRI and works directly with Molift 4-point suspension. For more information, see page 42/43.



Supporting arms
Molift Partner 255 is available with additional Support Arms. This in combination with the maximum height provides an ideal solution for supporting training.



Low base
Molift Partner 255 is also available with an extra low base chassis. A base height of only 6 cm (2.4") is one of the lowest in the market.)



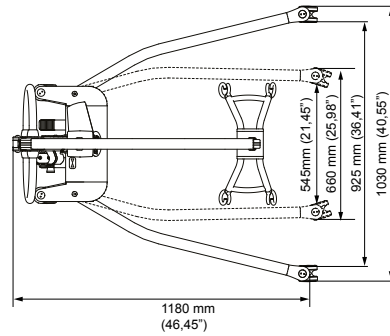
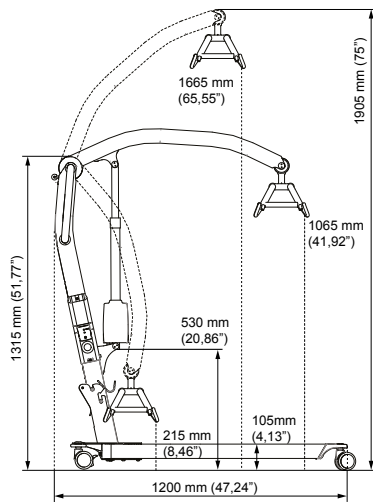
Molift Fabric Stretcher
A soft fabric stretcher for horizontal and lateral hoisting. Used in combination with Molift 8-point suspension. Molift Fabric Stretcher is only applicable with Molift Partner 255. For more information, see page 51.



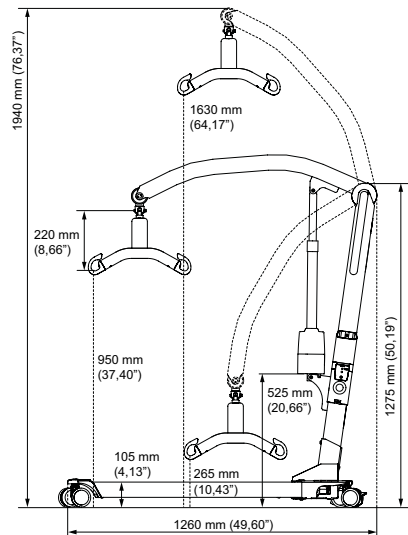
Molift Partner 255 has a vertical hoisting pattern which keeps the user at an equidistant length from the column during the entire hoist, creating a safe and stable position.

Dimensions Molift Mobile Hoists

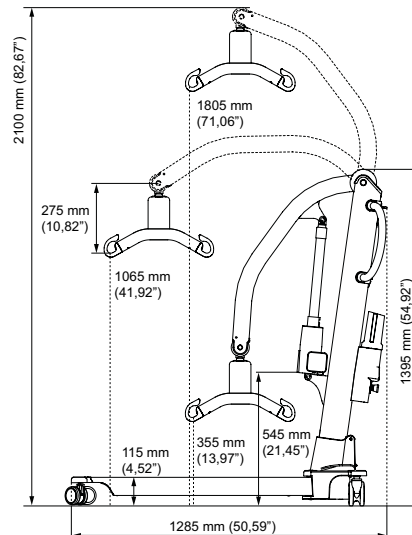
Molift Smart 150



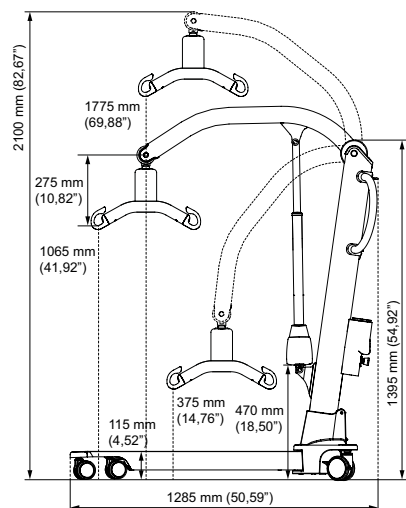
Molift Mover 180



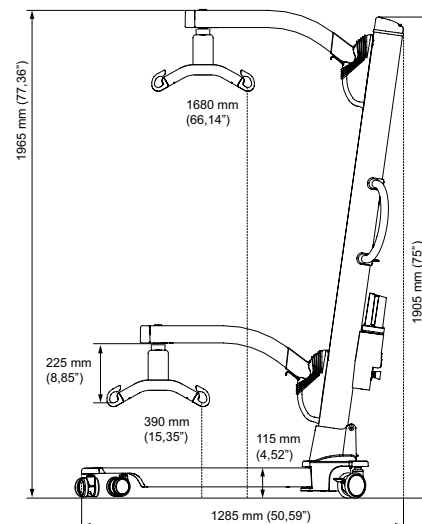
Molift Mover 205



Molift Mover 300



Molift Partner 255



Optional Suspensions

The new Molift aluminium suspension fits new and existing hoists. The light weight suspension supports a low total weight of the hoist, and is also easier for the caregiver to change and carry.



Description

Mover 180 4-point, S
Mover 180 4-point, M
Mover 180 4-point, L
Mover 180 2-point, S
Mover 180 2-point, M
Mover 180 2-point, L
Mover 205 4-point, M
Mover 205 4-point, L
Mover 205 2-point, S
Mover 205 2-point, M
Mover 205 2-point, L
Mover 300 4-point, M
Mover 300 4-point, L
Partner 255 4-point, M
Partner 255 4-point, L
Partner 255 8-point (fabric stretch)

Item no.

1830012
1830011
1830010
1830003
1830002
1830001
1430013
1430014
1430015
1430016
1430017
1530001
1530002
1330060
1330061
2140002

Dimensions L x W x H

210 x 300 x 340 mm (8,3" x 11,8" x 13,4")
420 x 300 x 240 mm (17.3" x 11" x 9.3")
530 x 360 x 295 mm (21.7" x 16.2" x 10.3")
340 x 130 mm (15.4")
440 x 130 mm (19.3")
540 x 130 mm (23.2")
420 x 300 x 240 mm (17.3" x 11" x 9.3")
530 x 360 x 295 mm (21.7" x 16.2" x 10.3")
340 x 130 mm (15.4")
440 x 130 mm (19.3")
540 x 130 mm (23.2")
420 x 300 x 240 mm (17.3" x 11" x 9.3")
530 x 360 x 295 mm (21.7" x 16.2" x 10.3")
420 x 300 x 240 mm (17.3" x 11" x 9.3")
530 x 360 x 295 mm (21.7" x 16.2" x 10.2")
143 x 92 x 42 mm (56.3" x 36.2" x 16.5")

Molift Service Tool

THE SOFTWARE THAT INTERACTS WITH THE HOIST

All Molift hoists have an integrated service software that indicates when a service is necessary, and ensures user, caregiver and management that the hoister is safe in relation to applicable laws and regulations.

Ensuring correct service and maintenance

The Molift Service Tool calculates the number of hoists and gives a warning signal when service is required.

Through the Molift Service Tool 4, a Molift certified technician can connect and interact with the hoist to perform service and for technical trouble-shooting. The software also allows reading, checking and adjusting key parameters in the hoist as well as reading and printing the service history.



Record and analyse hoist usage and patterns

The Molift Service Tool 4 can also be used to retrieve data about hoister usage and hoisting patterns. When the data is linked to work-related injury among the employees, it can be a helpful tool for the employers to reduce injuries. Furthermore the Service Tool can improve the efficiency as it indicates whether the types of hoisters in use are suitable for the patient group and their needs.



Molift Service Tool 4 enables us to collect data about Molift hoisters around the world and to continuously improve our products.

Description

Molift Service Tool 4, New user, incl. software pack, cables and new user registration:

Item no.

1299011

Molift Service Tool 4, Software upgrade, only available for existing registered user:

1299013

Molift Service Tool 4 Lite, New user, incl. software pack, cables and new user registration:

1299015

Molift Service Tool 4 Lite, Software upgrade, only available for existing registered user:

1299016

Ceiling Hoists

Molift Ceiling Hoists and Rail system is the optimal solution to assist caregivers. Molift Ceiling Hoists are simple and safe to use and can solve all hoisting needs for disabled persons. The functional and simple design of Molift Ceiling Hoist and Rail system improves accessibility to the user, and increases caregiver and user safety.



Molift Air

SMALL, COMPACT AND EASY TO INSTALL



The Molift Air is a strong and smooth ceiling hoist that enables patients to be transferred in a comfortable and safe way.

Functional and well designed

Molift Air is an innovative, functional and well-designed hoisting aid for disabled users. Combined with the Molift Rail System (MRS), Molift Air solves all hoisting situations in health care and other patient handling environments.

Light and flexible

Molift Air is suitable for sitting and horizontal transfers as well as standing and gait training situations together with the comprehensive accessory program from Molift. It is used with fixed ceiling rails, but can also be used for portable freestanding systems.

Molift Air is easy to handle during installation and servicing, due to a very low weight and the clever quick release function.

Molift Air offers flexible solutions such as remote control and possibilities for room-to-room transfer, due to a very low weight and the clever quick release function system. Molift Air is easy to handle during installation and servicing. Add to this the safety features, the large hoisting interval and the multiple suspension range. It is the complete solution in all health care segments.



Description

Molift Air 205	25205
Molift Air 300	25300
Molift Air 205 Propulsion	26205
Molift Air 300 Propulsion	26300
Molift Air 205 IRC	27205
Molift Air 300 IRC	27300
Molift Air 205 IRC Propulsion	28205
Molift Air 300 IRC Propulsion	28300

Safe Working Load

Molift Air 205: 205 kg (450 lbs)
Molift Air 300: 300 kg (660 lbs)

Item no.

Service Software

Service Tool 4 Included

Weight of unit

7.5 kg/16.5 lbs

Battery charger

100–240 V AC, 40–60 Hz

Battery

26.4 V NiMH 2.2 Ah

Motor

24 V DC 12 A

Hoisting speed

35 mm/s 90 kg load
1.4 in/s 198 lbs load

Protection class

Handcontrol IPX4
Hoist motor IPX4

Hoisting intervall

3000 mm (118.1")

Emergency lowering

Mechanical and Electrical

Emergency-stop

Reachable from floor with string
Reset possible from floor



FUNCTIONAL
AND WELL
DESIGNED



Features



Easy to install

Service and maintenance are easy due to the innovative quick release function.



A large lifting interval

With its standard 3 meters lifting strap Molift Air has one of the largest standard hoisting intervals on the market.



Molift Service Tool

Automatic service notification system determines when the hoister requires service and maintenance.



Optional suspensions

Easy for the carer to change and carry. Molift Air can be used with both a 2-point and a 4-point suspension. They come in six variants and can be changed easily without tools.



Battery Charger

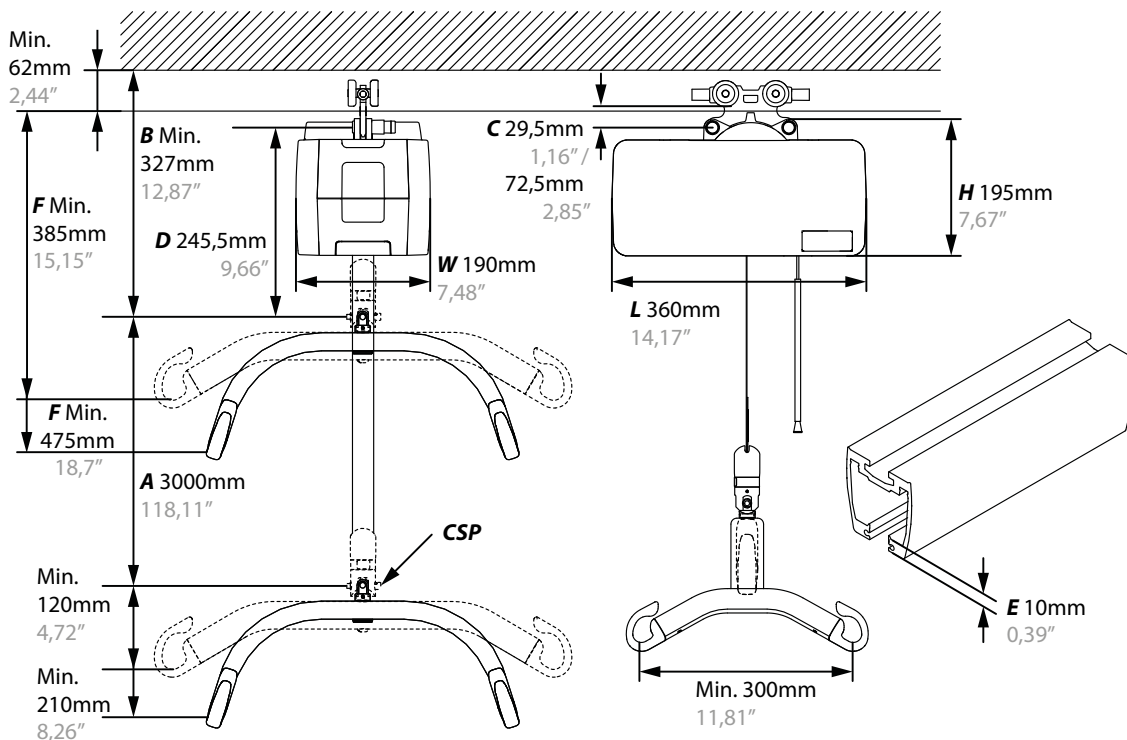
Wall mounted charger or In-Rail-Charging (IRC).



Simplifies weighing

The scale is approved Class III and complies with all technical standards. It can also calculate BMI (Body Mass Index) with a simple touch.

Dimensions





Accessories



Molift Stretcher

Molift Stretcher is a user-friendly and flexible scoop stretcher for hospitals and institutions. Approved and compatible with X-Ray, CT-scan and MRI and works directly with Molift 4-point suspension. For more information, see page 42/43.



Suspensions

Multiple 2-point and 4 point aluminium suspensions with Quick release coupling to hoisting strap.



Molift Fabric Stretcher

A soft fabric stretcher for horizontal and lateral hoisting. Used in combination with Molift 8-point suspension. For more information, see page 51.



Weight scale

The Molift Air scale is approved Class III and complies with all technical standards. It can also calculate BMI (Body Mass Index) with a simple touch.



Propulsion Motor

Driven horizontal transfer along rail.

Molift Nomad

UNIQUE CURVED DESIGN

Molift Nomad has a unique curved design and the integrated 4-point suspension provides the user with a comfortable and more spacious position. Molift Nomad can be used with all passive Molift Slings. Molift Nomad is equipped with numerous safety features such as electronic overload protection, electrical emergency lowering and emergency stop.

Low weight – high hoisting capacity

The weight of the Molift Nomad is only 6.8 kg (15 lbs). Despite the low weight Molift Nomad has a hoisting capacity up to 255 kg (562 lbs). The hoist also has integrated carry handles for easy handling.

Easy room-to-room transfer

In combination with a special designed trolley the Molift Nomad can be used to climb from one rail system to another without a transition rail. This results in easy transfer from room to room.

Connects and disconnects easily – without any tools

By using the Molift Nomad Extension Arm the Molift Nomad can easily be connected and disconnected by a single caregiver. The Molift Nomad Cart is ideal for storing and transporting the hoist. The Molift Nomad provides flexibility for day-to-day operations, as well as for temporary needs.



Description

Molift Nomad 160
Molift Nomad 205
Molift Nomad 230
Molift Nomad 255

Item no.

22160
22205
22230
22255

Safe Working Load

160 kg/352 lbs
205 kg/452 lbs
230 kg/507 lbs
255 kg/562 lbs

Total weight

6.8 kg (15 lbs)

Battery

NiMh 26.4 V – 2.2 Ah

Battery charge time

Aprox. 4 hours

Material

Reinforced composite and aluminum

Hoisting speed

30 mm/sec (1.2"/sec)

Hoisting range

Up to 2000 mm (78.5")

Dimension

522 x 200 x 330 mm
(20.5 x 7.9 x 13")

Rated performance

80 hoists at 75 kg and 500 mm
(165 lbs and 20")

Protection

IPX4

Service Software

Molift Service Tool included

Accessible controls

The operation of Molift Nomad is easily accessible through the handset or the integrated display in the front. It is operated by environmentally friendly NiMh batteries, and equipped with audio and visual battery indicators.

Automatic service notification

The automatic service notification system calculates and indicates when service is required. The integrated software can, via Molift Service Tool also be used to retrieve data about hoister usage and service history.



Molift Nomad provides the user with a comfortable and more spacious position.

Features



Accessible controls

Molift Nomad ceiling hoist can be easily operated by accessing controls through the handset or the integrated display in the front. It is operated by environmentally friendly NiMh batteries and is equipped with audio and visual battery indicators.



Unique curved design

Molift Nomad has a unique curved design and with the integrated 4-point suspension provides the user with a comfortable and more spacious position.



Molift Service Tool

Automatic service notification system determines when the hoister requires service and maintenance.



Molift Nomad battery charger

The charger can be placed on the wall, on a table or even integrated to Molift Nomad Cart.

Accessories



Molift Nomad Cart

Molift Nomad Cart is ideal for transportation and storage. It also has room for the Molift Nomad Extension Arm and a separate basket gives space for slings and other equipment. The battery charger can be mounted to the trolley which provides a safe place for the hoist to be parked whilst charging.

Item no. 200005



Molift Nomad Extension Arm

The unique extension arm makes it easy to connect and disconnect Molift Nomad from the rail trolley without using any tools.

Molift Nomad Extension Arm	Item no.
900 mm (35.5")	1200004
1050 mm (41.3")	1200006

Molift Rail System

CAN BE INSTALLED IN ALL TYPES OF CEILINGS AND WALLS

Easy to install

The Molift Rail System (MRS) is a cost-effective solution for hospitals, institutions, nursing and private homes. It is easily integrated and is aesthetically adjusted to the design and architecture of the room to make it a practical work place for nurses and caregivers, as well as an attractive environment for patients and visitors.

Molift Rail System (MRS) is an extremely flexible ceiling hoist system built in four different main configurations:

Single rail system

Straight rail and / or Curve rails gives a simple and effective patient transfer for the most common lifting situations such as bed-to-wheelchair.

Traverse rail system

The most flexible solution which cover the whole needed lifting area independent of refurbish or equipment changes in the room.

Room to room transfer

When transfer is needed from one room to another or from one rail system to the next system, Molift can provide Room to Room function (Climbing), switch systems or continuing rail systems through doorways etc.

Freestanding hoist units

A freestanding system is the best alternative when the lifting need is temporary or when the facility is not build for fixed installations.

Features

Traverse switch

The Traverse switch enables to connect two different rail systems, for example between a traverse system and a single rail. This is very useful for transfers from one room to another.

Rail Switch

The Rail switch enables a change of direction of single rails, for example from a straight rail to a curve rail.

Wall mounted rails

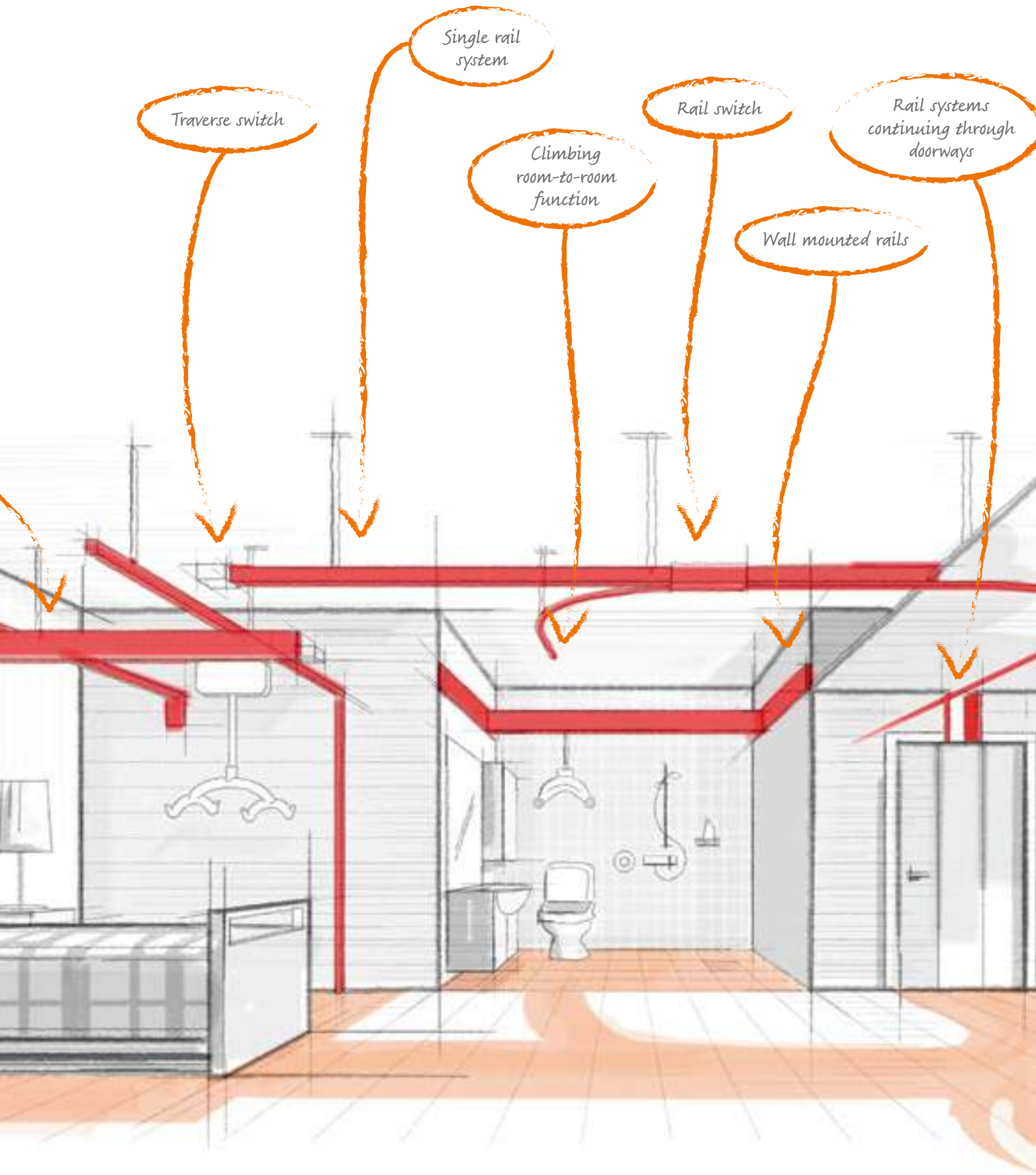
If there are difficulties to mount the rail in the ceiling, there is a possibility to mount the rail on the wall. This is a unique Molift solution for Traverse systems.

Integrated Rail System

A single integrated rail offers a very discrete and nice solution.

Traverse rail system covers the needed lifting area







One of the most efficient installation processes on the market

The Molift Rail System is designed and approved in accordance with ISO 10535. The system has rail profiles with innovative solutions for integration into the ceiling. It also includes switches and other transition options which makes the rail system extremely flexible. The rail system consists of very few parts which gives one of the most efficient installation processes on the market.

All these features make our system very competitive with regard to profitable investment. The rail system can be integrated into all types of ceilings and walls. Depending on ceiling hoist motor choice the system can be designed from 160 up to 300 kg and even higher hoisting capacity for bariatric patients.

Flexible solutions

- Easy to install.
- Various weight classes.
- A variety of installation options – integrated in the false ceiling, under the false ceiling, on the wall, on the floor with up right supports, etc.
- Can be installed in all types of ceilings, walls and floors.



With a traverse system it is possible to cover the whole room, and be independent to do refurbishing or equipment changes. It is possible to integrate the primary rail to make a nice clean surface in the ceiling.



A single integrated rail offers a very discrete and nice solution. It is often recommended to choose simple and efficient solutions because they are easy to use.



With a Molift Free Standing Unit it is possible to offer a single rail or a Traverse System that is easy to install without the need of mounting anything in the ceiling or on the walls. It is ideal for situations where the need for a hoist is temporary.

Safe Working Load

160–300 kg (352–660 lbs)

Colours

White or anodised aluminium

Rails

3 dimensions: H62, H112 and H142

Max distance between fixtures

Up to 600 cm (236")

Switches

Rail switch
Traverse switch

Slings

Comfortable slings are essential for the well-being of the users. We are committed to develop the most comfortable and flexible slings for both users and caregivers.



Molift RgoSling Concept

BUILT-IN ERGONOMY FOR COMFORTABLE HOISTING



Maximum Comfort

All our slings are designed to distribute weight and pressure evenly for maximum comfort. As Molift is committed to comfort and safety we offer a wide range of various models and sizes. We recommend individual testing and have a colour code indicating sling size to facilitate a quick and easy selection.

Anatomical shape makes the difference!

Molift RgoSling has an anatomical shape and a fitted cut with fixed padding both in the back and leg parts. The anatomic design allows for the natural curvature of the spine and stops the user from sliding. In combination with the balanced weight distribution, a safe and comfortable lift is achieved.

Unique sliding loop function

The unique sliding loop function in the shoulder straps, balances the weight distribution in every stage of the lift, making it very comfortable to lift from a lying to a sitting position and vice versa. Thereby an external angle adjustment of the suspension is redundant.

Scandinavian Design

Molift slings are designed in Norway, applying the same high standards as it does to Molift hoisters. All the slings have been approved according to quality standard EN ISO 10535. We recommend the use of 4-point suspension for comfortable hoisting, but the slings may also be used with a 2-point suspension.

Unique Features

The shoulder straps have the unique Molift sliding loops, to secure a comfortable and safe position for the patient. At the same time the clever design of the leg parts distributes the pressure for increased comfort. Sling application is made very easy due to the centrally placed pocket, together with the special folding technique developed by Molift.

Features



Sliding loops

The sliding loops gives a balanced weight distribution.



Many options

The slings are available with HighBack and MediumBack.



Flip up labelling system

Clear and visible information for the everyday need. Maintenance information flipped up behind the main label.



Guide pockets

Pockets in the back and on the legrests facilitate application, primarily in sitting position.



Hoisting straps

Several colour-coded loops in order to find the right fit.

Anti-slip

For greater safety, anti-slip protection is provided on the inside of RgoSling Amputee, RgoSling Toilet and RgoSling StandUp.

Belt

Molift RgoSling Amputee and RgoSling Toilet has a belt for comfort and safety.

Leg support

Padded legsupport for the patients comfort.

RgoSling
MediumBack
Padded.



Labelling

Flip up labelling system with clear and visible information for the everyday need. Maintenance information flipped up behind the main label.

Padding

Padding distributes the weight and provides a better comfort for the patient.

Guide pocket

Pockets in the back and on the legrests facilitate application, primarily in sitting position.

Molift RgoSling MediumBack

BUILT-IN ERGONOMY FOR COMFORTABLE HOISTING

For homecare and institutional environments

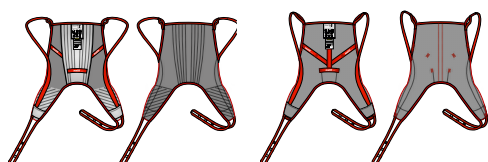
Molift RgoSling MediumBack is an all-round sling that fits most users and hoisting situations in homecare and institutional environments.

Support for the body

RgoSling MediumBack provides support for the body and is suitable for a patient with headcontrol.

Molift RgoSling MediumBack in Net-version

The RgoSling MediumBack is also available in a soft net mesh polyester material. The material breathes well and dries very quickly. The sling is especially suitable for shower and bathing situations. The mesh version has the same shape and features as the padded versions, such as; sliding loops, application pocket in the back and legrests and straps for increased weight distribution in the leg parts.



Molift RgoSling MediumBack

Size	Padded	Net
XXS	1720100	1720300
XS	1720110	1720310
S	1720120	1720320
M	1720130	1720330
L	1720140	1720340
XL	1720150	1720350
XXL	1720160	1720360

Recommended user weight

XXS	12–17 kg (26–37 lbs)
XS	17–25 kg (37–55 lbs)
S	25–50 kg (55–110 lbs)
M	45–95 kg (99–210 lbs)
L	90–160 kg (198–353 lbs)
XL	160–240 kg (353–529 lbs)
XXL	230–300 kg (507–660 lbs)

Material

Polyester, PE-cellfoam



Molift RgoSling HighBack

BUILT-IN ERGONOMY FOR COMFORTABLE HOISTING

For homecare and institutional environments

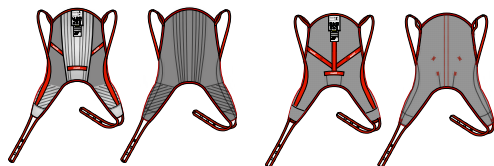
Molift RgoSling HighBack is an all-round slings that fits most users and hoisting situations in homecare and institutional environments.

Support for the head

RgoSling HighBack provides support for the body and for the head as well. It allows the user to have a slightly inclined position which is suitable for users with impaired trunk and head stability. It is especially suitable for hoisting to and from a lying position and hoisting from the floor.

Molift RgoSling in Net-version

The RgoSling HighBack is also available in a soft net mesh polyester material. The material breathes well and dries very quickly. The sling is especially suitable for shower and bathing situations. The mesh version has the same shape and features as the padded versions, such as; sliding loops, application pocket in the back and straps for increased weight distribution in the leg parts.



Molift RgoSling HighBack

Size	Padded	Net
XXS	1720200	1720400
XS	1720210	1720410
S	1720220	1720420
M	1720230	1720430
L	1720240	1720440
XL	1720250	1720450
XXL	1720260	1720460

Recommended user weight

XXS	12–17 kg (26–37 lbs)
XS	17–25 kg (37–55 lbs)
S	25–50 kg (55–110 lbs)
M	45–95 kg (99–210 lbs)
L	90–160 kg (198–353 lbs)
XL	160–240 kg (353–529 lbs)
XXL	230–300 kg (507–660 lbs)

Material

Polyester, PE-cellfoam



Molift RgoSling Toilet LowBack and HighBack

A FLEXIBLE SLING WITH OPTIMAL FUNCTIONS FOR TOILET SITUATIONS



Meeting high demands when toileting

RgoSling Toilet provides an exceptional trunk support and is secured by double belt-buckles. The flexible leg supports facilitates individual fitting and can be positioned in different ways to accommodate the user's functions and needs.

Comfort and safety for the user

Molift RgoSling Toilet has several alternative loops on both the shoulder and leg straps in order to adjust the sitting angle according to the user's needs, including an upright sitting position. The sling provides exceptional support in the sitting position. The belt-buckles can be adjusted along its length in order to get weight and pressure in optimal position whilst maintaining good stability and safety.



Molift RgoSling
Toilet HighBack

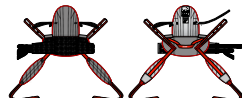
Available in HighBack version

Molift RgoSling Toilet HighBack provides additional support for users with reduced or no head stability.

LowBack



HighBack



Size

XXS
XS
S
M
L
XL
XXL

LowBack

1720500
1720510
1720520
1720530
1720540
1720550
1720560

HighBack

1720600
1720610
1720620
1720630
1720640
1720650
1720660

Recommended user weight

XXS	12–17 kg (26–37 lbs)
XS	17–25 kg (37–55 lbs)
S	25–50 kg (55–110 lbs)
M	45–95 kg (99–210 lbs)
L	90–160 kg (198–353 lbs)
XL	160–240 kg (353–529 lbs)
XXL	230–300 kg (507–660 lbs)

Material

Polyester, PE-cellfoam



Molift RgoSling Amputee MediumBack and HighBack

EXTRA SAFETY WITH THE BUILT-IN WAIST BELT



Narrow opening for increased safety

Molift RgoSling Amputee provides the additional support necessary for hoisting and transferring users with impaired muscle tone or amputated limbs. The RgoSling Amputee has an anatomical cut and padding that provides exceptional support through the entire hoist and transfer situation. The leg parts are divided, and have extra length for application under both legs. Additional straps to avoid the legs from sliding out of position, and therefore helping the confidence of the patient.

Available in Highback and MediumBack

Molift RgoSling Amputee HighBack provides additional support for users with reduced trunk tone and head stability. The sling can be used for hoisting to and from horizontal and sitting positions.

Feature



Extra trunk support

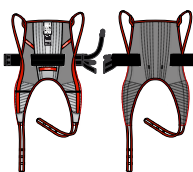
The waist belt with double belt-buckles and anti-slip material on the inside, provides extra trunk support for patients with reduced muscle tone and stability.



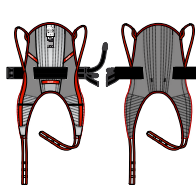
Smaller opening

The opening around the buttocks is smaller than the standard version sling to prevent users from slipping down in the sling.

MediumBack



HighBack



Recommended user weight

XXS	12–17 kg (26–37 lbs)
XS	17–25 kg (37–55 lbs)
S	25–50 kg (55–110 lbs)
M	45–95 kg (99–210 lbs)
L	90–160 kg (198–353 lbs)
XL	160–240 kg (353–529 lbs)
XXL	230–300 kg (507–660 lbs)

Size

XXS
XS
S
M
L
XL
XXL

MediumBack

1721100
1721110
1721120
1721130
1721140
1721150
1721160

HighBack

1721200
1721210
1721220
1721230
1721240
1721250
1721260

Material

Polyester, PE-cellfoam

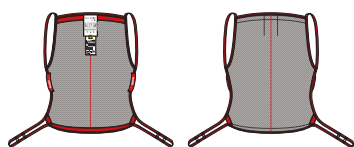


Molift RgoSling Comfort HighBack

ADAPTS TO BODY SHAPE

Support for the entire back

Molift RgoSling Comfort HighBack is a full body support sling made of a mesh polyester material that breathes and dries quickly. It is particularly suitable when the sling is to be left underneath the user in a chair or wheelchair, and for users with muscular or skeletal pain. Molift RgoSling Comfort provides good support for the entire back. It is a high back model and puts the user into a more posteriorly tilted position. The shoulder straps have the unique sliding loop, which provides smooth transition from lying to sitting position and vice versa. Must be applied with the user in a lying position.



Size

XS
S
M
L
XL
XXL

Regular

1721410
1721420
1721430
1721440
1721450
1721460

Recommended user weight

XS 17–25 kg (37–55 lbs)
S 25–50 kg (55–110 lbs)
M 45–95 kg (99–210 lbs)
L 90–160 kg (198–353 lbs)
XL 160–240 kg (353–529 lbs)
XXL 230–300 kg (507–660 lbs)

Material

Polyester



Molift RgoSling Ambulating Vest

FOR GAIT TRAINING, INDEPENDENT OR WITH ASSISTANCE

Secure and comfortable gait training

Molift RgoSling Ambulating Vest is developed for safe and secure rehabilitation such as gait training, standing exercise as well as balance exercise.

Molift RgoSling Ambulating Vest has a double buckled wide padded belt that distributes pressure evenly over a larger surface. The padded groin straps limit the vest from sliding up and out of position.

Adopted features from professional climbing

Molift RgoSling Ambulating Vest has adopted features from professional climbing equipment to provide the best possible comfort and safety for the user. The self-tightening suspension loops prevent users from slipping or falling down.

The front buckle system provides increased possibilities for the user to more independently perform gait training or toileting, maybe even without assistance.

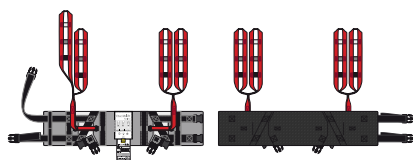


Accessories



Groin Straps

The groin straps are placed in an outward angle which minimizes risk of pinching when more weight is put on the vest.



Size	Item no.	Recommended user weight
XXS	1721300	XXS 12–17 kg (26–37 lbs)
XS	1721310	XS 17–25 kg (37–55 lbs)
S	1721320	S 25–50 kg (55–110 lbs)
M	1721330	M 45–95 kg (99–210 lbs)
L	1721340	L 90–160 kg (198–353 lbs)
XL	1721350	XL 160–240 kg (353–529 lbs)

Material

Polyester, PE-cellfoam



Accessories

Groin Straps for Ambulating West
Order two for a complete pair.

Size	Item no.
XXS–XS	1721700
S–M	1721720
L–XL	1721740



Molift RgoSling Accessories



Molift storage system

The Molift Sling Storage System is a useful product for storing and presenting your Molift Slings in a professional way!

Item no. 3030700



Molift RgoSling Extension loops

For loop extension 10, 20 or 30 cm.

Order two for a complete pair.

Item no: 1721600

Sizes and Instructions

Molift Size Color Code



Washing instructions



Cleaning and disinfection

Washing at higher temperatures wears out the material faster. The sling must be inspected regularly, preferably prior to each lifting operation but especially after it has been washed.



Make sure not to damage or remove labels when cleaning.

Stretchers

Molift offers a range of accessories for different needs. The unique Molift Scoop Stretcher is very flexible and can be used directly on a standard Molift 4-point suspension.



Molift Fabric Stretcher

A SOFT FABRIC HOISTING DEVICE FOR HOSPITALS AND INSTITUTIONS

Molift RgoSling Fabric Stretcher is a soft fabric hoisting device for hospitals and institutions. It is designed for horizontal transfers.

Alternative to the stretcher

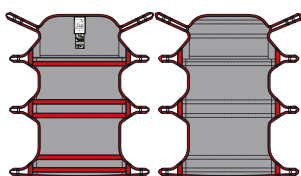
Molift RgoSling Fabric Stretcher is suitable when hoisting in a normal sling would be inappropriate due to medical conditions, for example comatose or sedated clients that require a stable recumbent position. It is a comfortable alternative to a Stretcher.

8-point suspension

Hoisting with this product requires an 8-point suspension. The suspension is compatible with Molift Partner 255 and Molift Air. Molift Fabric Stretcher has integrated hoisting straps that are hooked directly to the suspension, with some possibilities to adjust in length by using the loops. The multiple hoisting points provide an open and stable horizontal hoist.



Application of Molift Fabric Stretcher when the client is in a horizontal position is easily performed with an Immedia SlingOn.



Description	Item no.
Molift RgoSling Fabric Stretcher M	1721520
Molift RgoSling Fabric Stretcher XL (Only used with 8-point suspension)	1721540

Molift 8-point suspension 2140002
(Compatible with Molift Partner 255 and Molift Air)

Length outer
Molift RgoSling Fabric Stretcher M: 175 cm (68.9")
Molift RgoSling Fabric Stretcher XL: 185 cm (72.8")
Molift 8-point suspension: 143 cm (56.3")

Width outer

Molift RgoSling Fabric Stretcher M: 70 cm (25.6")
Molift RgoSling Fabric Stretcher XL: 92 cm (36.2")
Molift 8-point suspension: 92 cm (36.2")

Height

Molift 8-point suspension: 42 cm (16.5")

Material

Molift Fabric Stretch: Polyester
Molift 8-point suspension: Steel

* The safe working load will always dependent on the hoists safe working load when less than the Fabric Stretcher.

Washing instruction



max 300 kg
max 660 lbs

Molift Stretcher

FLEXIBLE SCOOP STRETCHER IDEAL FOR HORIZONTAL HOISTING SITUATIONS

Flexible and easy to use

Molift Stretcher is a flexible scoop stretcher for hospitals and institutions. It is designed for horizontal transfers and when sling hoisting is considered inappropriate due to medical condition. It is an optimal solution for transfer of clients who are comatose or sedated, as well as clients with suspected spinal injuries and/or multiple fractures.

Ideal for emergency care

In combination with Molift standard 4-point suspension, it is ideal for emergency care needs, when time is decisive and the patient has limited mobility. Molift Stretcher can be divided in two parts in length and is therefore easy to place under the client.

Molift Stretcher has five handles along each side, which provides a manual hoisting alternative from the floor and allows horizontal and lateral transfer between beds and surfaces.



Accessories



Set of safety belts (3 pcs)

We recommend the use of safety belts. Set of 3 pcs for each Molift Stretcher.

Item no. 2150355



Set of hoisting loop with retractor

Optional hoisting straps with auto retractors that hide and protects the straps after release. Only for use with Molift Stretcher standard.

Item no. 2150356



Set of hoisting loops

Standard hoisting straps, 4 pcs.

Item no. 2150357

Description Molift Stretcher MRI	Item no. 2150108	Width outer 63 cm (24.8")	machines at 80°C, short term washing. Careful high pressure cleaning is possible (100 bar).
Total weight 14.5 kg (32 lbs)		Material Plastic composite body Stainless steel locks	Compatibility Molift Stretcher MRI: Compatibility with MRI. Approved for X-ray and CT-scan
Height 12.6 cm (4.9")		Cleaning instructions Can be washed with normal household detergents and disinfected with disinfectants on a cloth or in hospital washing	* The SWL always dependent on the hoisters SWL when less than the stretcher.
Length outer 198 cm (78")			<div style="display: flex; align-items: center;"> <div style="text-align: center; margin-right: 10px;"> <small>max</small> 300 <small>kg</small> </div> <div style="text-align: center; margin-right: 10px;"> </div> <div style="text-align: center;"> <small>max</small> 660 <small>lbs</small> </div> </div>

Features



Unique patented design

The scoop design makes moving the client safe and efficient all the way; from admittance to the emergency ward, to X-ray, CT, MRI and surgery table.



Easy to open and lock

The specially designed locking system, is easily opened when unloaded and completely locked when loaded.



Low total weight

Molift Stretcher has a total weight of only 14.5 kg (32lbs) and is very easy to carry.



Many possible uses

Molift Stretcher is designed to give as little shadow as possible and is compatible with X-ray, CT as well as MRI.



Molift Stretcher is fully compatible with Molift Ceiling Hoist Systems, Molift Mover passive hoists and Molift Partner Hoists when used with a 4-point suspension.

A wide range of possibilities

Etac offers a wide range of products which help people with daily living routines regardless of physical circumstances. The products all reflect our creating possibility philosophy. Safety, function, quality and design are of highest priority. You find all information about our products at etac.com.

MANUAL WHEELCHAIR AND SEATING SOLUTIONS

All Etac wheelchairs are designed to meet the needs of many different users as well as care requirements. There are several cross-folding and rigid frame models to choose from – all with many adjustment possibilities and a wide range of accessories. For the user, our wheelchairs guarantee the best possible seating comfort, user-friendliness and excellent manoeuvring.

The Cross 5 wheelchair combines maximum comfort with optimum functionality, designed for many different users. Read more about Etac Cross 5 and the other wheelchairs at etac.com.



TRANSFER SOLUTIONS

Etac offer a wide range of transfer aids, characterized by high quality in functionality, durability and design.

Immedia, our manual transfer product range ensures safe and comfortable transfers. The smooth products remove friction points and facilitate weight shifts. They also facilitate using natural movement patterns and the transfer can be performed with easiness and dignity, for both caregiver and care recipient.



Immedia SlingOn is the optimal solution for insertion of a hoist sling without rolling.

Molift is our high quality product range of hoists and slings developed to ensure safety, dignity and comfort. The objective is to provide the best and most secure care, avoid heavy hoisting situations which can put caregiver's back at risk and provide the healthcare sector with the most cost effective solutions.



Molift Quick Raiser is a functional and comfortable stand up hoist.

BATHROOM COMFORT AND DAILY LIVING SOLUTIONS

Etac products for daily living are designed to alleviate stress and strain on muscles and joints, making it easier for the user to continue performing the daily tasks, such as gripping, turning, eating, writing and getting dressed.

Etac also provides safe solutions for bathing and toileting, which give a high sense of comfort. The wet environments put high demands on durability and quality. All products have constructions and materials that can handle the strain and provide long life time.

Showering is one of daily life's little pleasures. It also creates time for reflection. The foldable Relax shower seat allows you to simply sit back and enjoy the feeling of well-being.



POWER WHEELCHAIRS

Etac power wheelchairs offer comfort, quality and versatility. They are the most advanced multifunctional power wheelchairs. Etac power wheelchairs have a height adjustment span which is greater than any other wheelchair. Our power wheelchairs also have a structurally integrated transportation securement system.

Discover the future of independent powerchair living with the intelligent Etac E800 range.



PEDIATRIC EQUIPMENT

There is no question that independence is essential to a child's development. Less able children are no different. Just like everyone else, they too want to be able to do things for themselves and start to discover who they really are. Through the Etac subsidiary R82 we offer the best in a complete assortment specially designed for children to help them expand their horizons.

The Caribou is our new standing frame. The frame supports the prone or supine standing position. With its ability to switch from a horizontal to a vertical position, the Caribou is designed to accommodate a wide range of users.

READ MORE ABOUT ALL SMART ETAC SOLUTIONS FOR ADULTS AND CHILDREN AT ETAC.COM.



Immedia Easy Turn



Etac Beauty Body Washer



x:panda



Immedia Butterfly



Etac Edge



“Everyone should be able to live a free and independent life and pursue their dreams regardless of any physical circumstances.”



Etac offers a wide range of possibilities:

- Manual wheelchair and seating solutions
- Transfer solutions
- Power wheelchair solutions
- Bathroom comfort and daily living solutions
- Pediatric equipment

You will also find news and updated information on our website www.etac.com.

Contact details distributor

Kent McCool
Home Safe Homes
17555 Willow View Road, Suite D
Noblesville, IN 46062
www.HomeSafeHomes.com
Ph: (317) 773-1996 | E: info@HomeSafeHomes.com

Customer service

Etac Supply Gjøvik
Etac AS
Hadelandsveien 2
N-2816 Gjøvik
molift@etac.com
Tel + 46 371-58 73 30
Fax +46 371-58 73 90



Etac AB
Kista Science Tower
SE-164 51 Kista, Sweden
info@etac.se www.etac.com